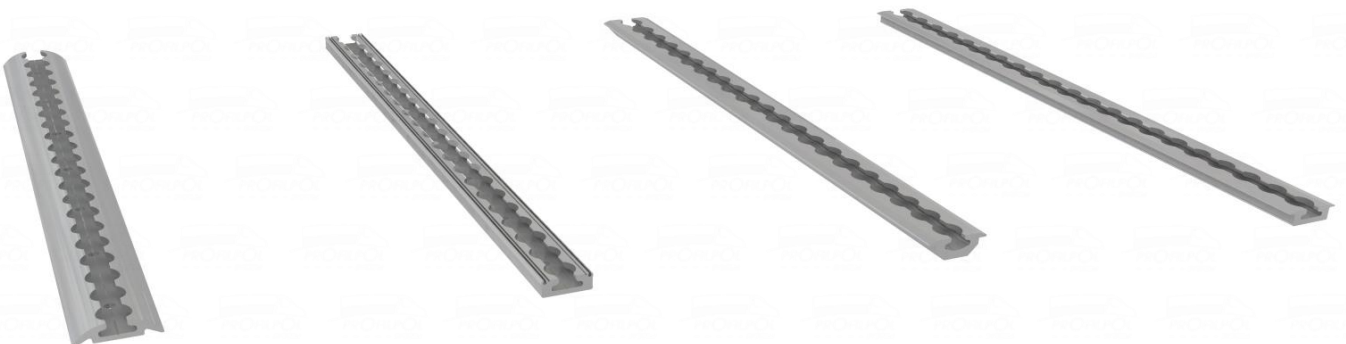


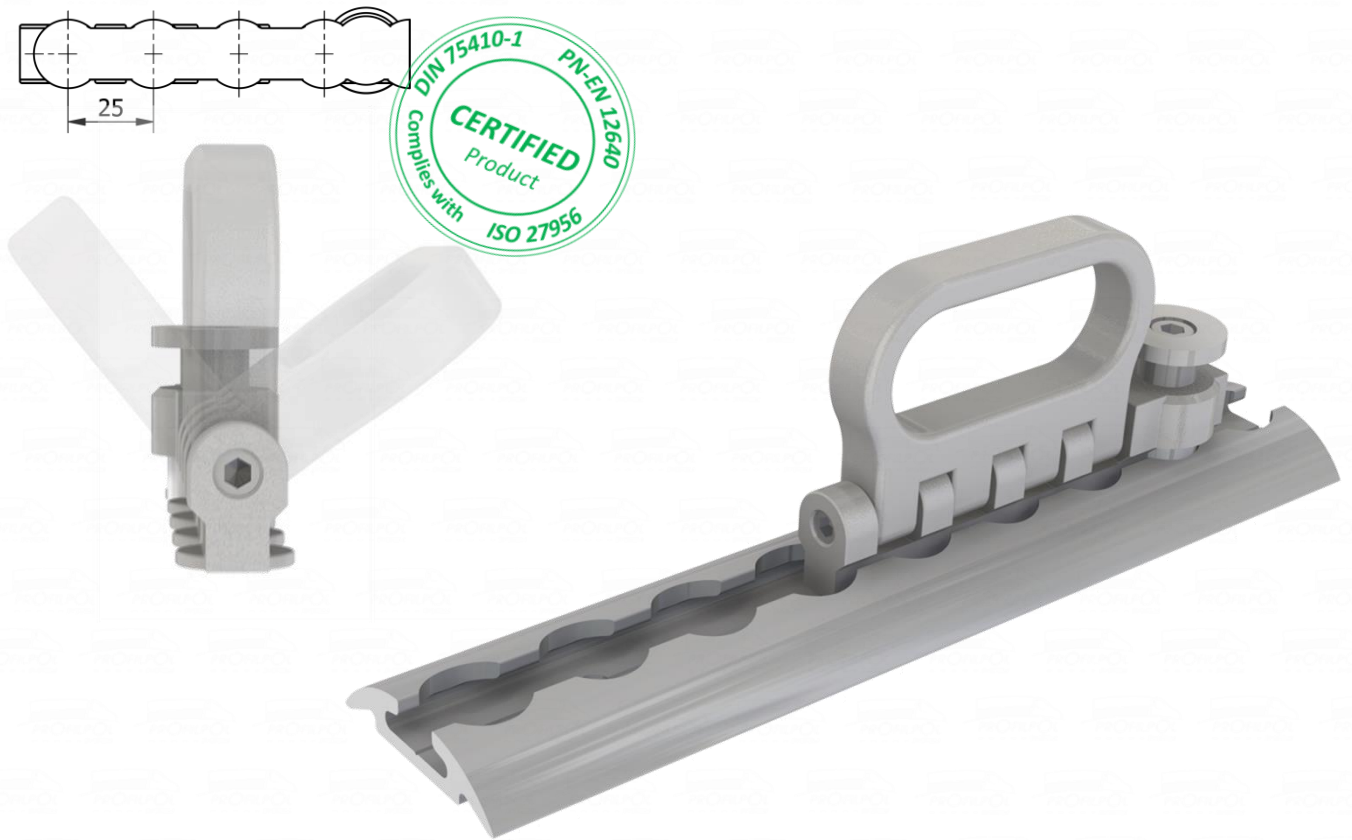


AIRLINE

Cargo Securing



AIRLINE shoring



1.



2.



3.



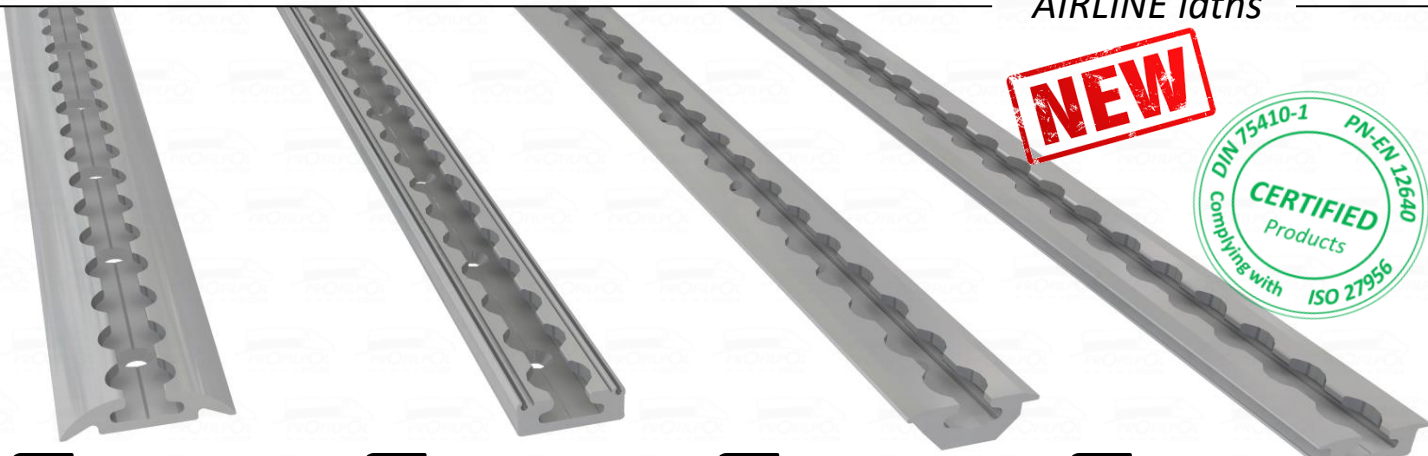
No.	Catalog no.	Designation	Weight kg/ pc.	Material
1.	3UA2000	Airline shoring component, 2000 Kg *	0,34	Steel /ZN
2.	3UA2500	Airline shoring component, 2500 Kg	0,30	Steel /ZN
3.	3UA500	Airline shoring component, 500 Kg	0,05	Aluminium/Steel/ZN

***The 3UA2000 shoring complies with the requirements of:**

- DIN 75410-1 Standard for vehicle N1, O1, O2 category,
- PN-EN 12640 Standard for vehicle N2, N3, O3 and O4 category
- ISO 27956 Standard for commercial vehicles up to 5 t (GVM)

AIRLINE laths

NEW

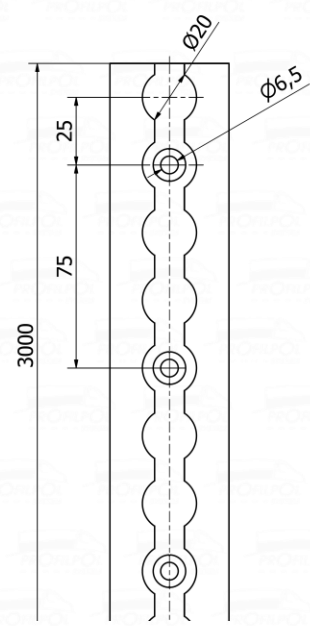
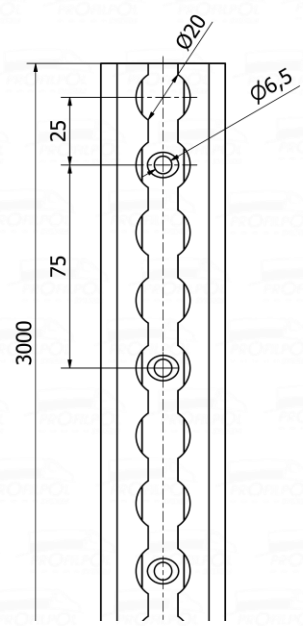
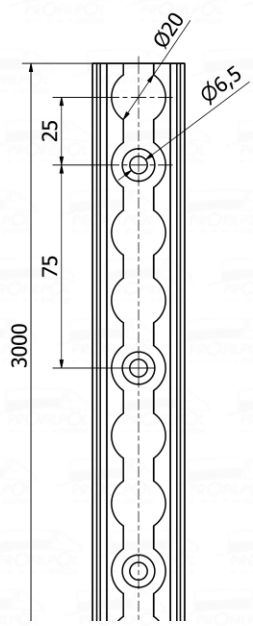
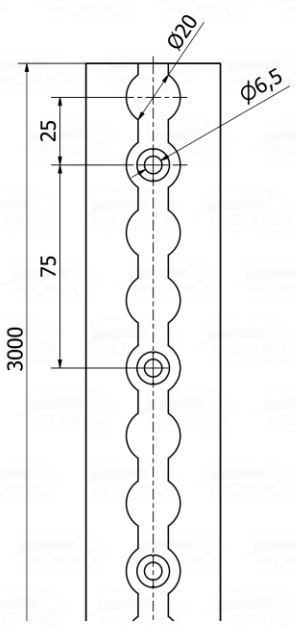
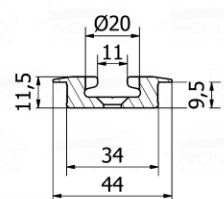
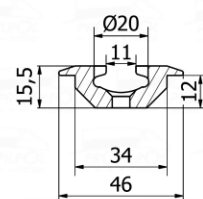
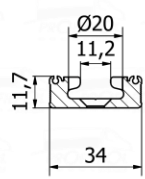
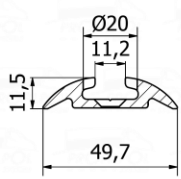


1.

2.

3.

4.



No.	Catalog no.	Designation	Weight kg/m
1.	3LA30004210	Airline lath, semicircular, 3000 mm ^{1), 5), 2)*, 4)*}	1,98
2.	3LA30003496	Airline lath, rectangle, 3000 mm ^{1), 3), 4)}	1,87
3.	3LA30003449	Airline lath, immersed, 3000 mm ^{1), 2), 4)}	2,75
4.	3LA30004416	Airline lath, immersed, 3000 mm ^{1), 3), 4)}	2,16
Material :		Aluminium	

The lathes are complying with the requirements of:

- 1) DIN 75410-1 Standard for vehicles N1, O1, O2 category
- 2) PN-EN 12640 Standard for vehicles N2, O3 and O4 category up to 12 t (GVM),
- 3) PN-EN 12640 Standard for vehicles N2, N3, O3 and O4 category
- 4) ISO 27956 Standard for commercial vehicles up to 7,5 t (GVM)
- 5) ISO 27956 Standard for commercial vehicles up to 2,5 t (GVM)

* With M8 mounting system (The 3LA30004210 lath is also available with ø8,5 holes on demand)



PROFILPOL

SYSTEM



www.profilpolsystem.pl



sprzedaz@profilpolsystem.pl



OLESNO
ul. Częstochowska 20
46-300 Olesno



+48 883 335 994